

REMINGTON®

INFINITE PROTECT STRAIGHTENER



USE & CARE
MANUAL

PLEASE READ
PRIOR TO USE

To register your product go to
www.remington-products.com.au
www.remington.co.nz

5 YEAR WARRANTY

S8605AU



IMPORTANT SAFEGUARDS

Warning: When the straightener is used in a bathroom, unplug it after use since the proximity of water presents a hazard even when the straightener is switched off.

When using electrical appliances, especially when children are present, basic safety precautions should always be followed, including the following:

READ ALL INSTRUCTIONS BEFORE USING

KEEP AWAY FROM WATER

DANGER – As with most electrical appliances, electrical parts are electrically live even when the switch is off.

To reduce the risk of death by electric shock:

- Always unplug it immediately after using.
- Do not place or store an appliance where it can fall or be pulled into a bath or sink.
- Do not use while bathing.
- Do not place or drop into water or other liquid.
- If an appliance falls into water, “unplug it” immediately. Do not reach into the water.

For additional protection, the installation of a residual current device (RCD) with a rated residual operating current not exceeding 30mA is advisable in the electrical circuit supplying the bathroom. Ask your electrical contractor for advice.

WARNING – TO REDUCE THE RISK OF BURNS, ELECTROCUTION, and FIRE, OR INJURY TO PERSONS.

- Your straightener should never be left unattended when plugged in to a power outlet.

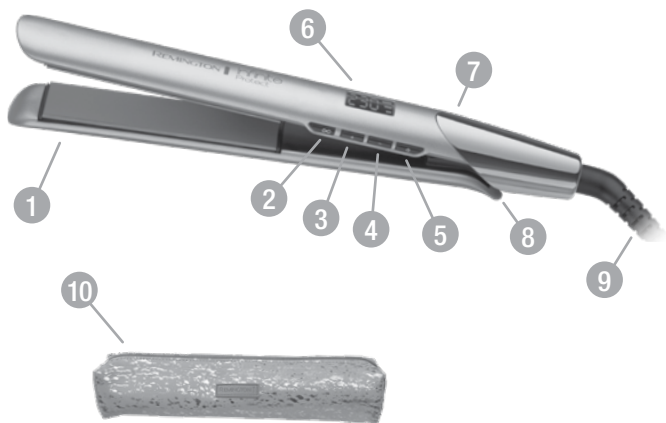
- This appliance is not intended for use by persons (including children) with reduced physical, sensory or mental capabilities, or lack of experience and knowledge, unless they have been given supervision or instruction concerning use of the appliance by a person responsible for their safety.
Keep the appliance and the power cord away from the edge of table or countertops and out of reach of children and persons with reduced physical, sensory or mental capabilities.
- This appliance is not a toy. Children shall be supervised to ensure they do not play with the appliance.
- Use this appliance only for its intended use as described in this manual. Do not use attachments not recommended by Remington.
- If the supply cord is damaged, it must be replaced by the manufacturer, its service agents or similarly qualified persons in order to avoid a hazard.
- Do not use on people who are asleep.
- Never drop or insert any object into any opening of this appliance.
- Do not use outdoors or where aerosol (spray) products are being used or where oxygen is being administered.
- The plates will be very hot during use. Do not let bare skin touch heated surfaces.
- Do not place the heated straightener on any soft surface such as a bed, carpet or a towel. Place only on a hard, flat, heat resistant surface.

SAVE THESE INSTRUCTIONS

S8605AU INFINITE PROTECT STRAIGHTENER

Use & Care Instruction Manual

Thank you for purchasing the new Remington® Infinite Protect Straightener. The Straightener features the Infinite Protection Technology that provides 2.5X more protection & 5X longer lasting colour for beautiful vibrancy & shine*.



KEY PARTS

- | | |
|---|---|
| 1. Advanced ceramic coating infused with Shea Oil and U.V. Filters - 110mm plates | 6. Digital temperature display with variable heat 150°C - 230°C |
| 2. Intelligent sensor on/off button | 7. Intelligent sensor on indicator light |
| 3. + Temperature increase button | 8. Hinge lock |
| 4. - Temperature decrease button | 9. Salon swivel cord |
| 5. Power on/off button | 10. Heat resistant pouch |

*vs. Remington straightener with standard coating at 230°C

INTELLIGENT SENSOR

Press the ∞ button to activate the Intelligent Sensor. If the Intelligent Sensor is on during styling, the indicator light will come on indicating the sensor is monitoring the hair temperature and continually adjusting the heat output, helping prevent overheating. These temperature changes are not displayed on the product but happen quickly and automatically during styling.

WHAT IS SHEA OIL?

Shea Oil is an extraction from the nut of the African Shea tree. Shea Oil is proven to provide protection against harmful U.V. rays from the sunlight.

WHAT ARE U.V. FILTERS?

U.V. Filters are known to form a protective barrier to absorb harmful U.V. rays from the sunlight before it penetrates and damages your hair.

BASIC HAIR CARE INSTRUCTIONS

For optimal results, shampoo and condition your hair prior to straightening, then dry your hair thoroughly and make sure that it is tangle free.

HOW TO USE YOUR REMINGTON® INFINITE PROTECT STRAIGHTENER

Carefully place the straightener on a flat, hard, heat resistant surface ensuring the sides of the plates do not come into contact with the surface. Plug in to any household (120/240V AC) power outlet. Press the power on/off button.

The digital temperature display will flash indicating that the straightener is heating. When the temperature of the plates has reached the temperature selected the LED light will remain steady. Press the “+” temperature increase button to increase the temperature. Press the “-” to decrease the temperature. The

lowest temperature setting is 150°C, and the highest temperature setting is 230°C. The straightener will be ready to use in 30 seconds depending on the temperature selected.

Take extra care when using the straightener, as it can get very hot. It is important to establish the correct temperature for your hair type prior to use to prevent damage to your hair. If in doubt, start with a low temperature setting first using the variable temperature button and increase the heat gradually.

NOTE: The Infinite Protect Straightener is not suitable for use on synthetic wigs or hair extensions.

RECOMMENDED TEMPERATURES

Temperature	Hair type
150°C - 170°C	Thin/fine, damaged or bleached hair
190°C - 210°C	Normal, healthy hair
210°C - 230°C	Thick and difficult to style hair

AUTOMATIC VOLTAGE ADJUSTMENT

The Infinite Protect Straightener features automatic voltage adjustment for international dual voltage (120/240V) use. Plug the unit into any domestic power outlet and it will adjust automatically to the voltage being supplied.

NOTE: Some countries will require the use of a plug adaptor that is not included with your straightener.

TURBO BOOST FUNCTION

This straightener features a turbo boost function which will automatically select the highest temperature of 230°. To operate the turbo boost function, press and hold the “+” temperature increase button for 2 seconds.

CAUTION: the highest temperature is not suitable for every hair type. If you plan to use this straightener on the boost setting of 230°C please test on a small section of your hair first.

TEMPERATURE LOCK

This straightener has a temperature lock to prevent the selected temperature from being accidentally altered during use. When the selected temperature has been reached, simply press and hold the “-” temperate decrease button for 2 seconds. This will lock the current heat setting and a padlock icon will appear in the temperature display window. To unlock the temperature lock, simply press and hold the “-” temperate decrease button for 2 seconds.

MEMORY FUNCTION

Each time you use the product it will automatically set itself to the last temperature used.

AUTOMATIC SAFETY SHUT OFF

If the straightener is not used for a period of 60 minutes (temperature is constant) it will automatically shut off.

TO STRAIGHTEN YOUR HAIR

- Ensure your hair is completely dry.
- To make styling easier, part the hair either in the middle or to the side and use clips to section your hair; top, sides and back.
- You may need to comb through your hair before straightening to ensure that it is tangle free.
- Start at the nape of the neck and straighten the underneath sections of hair first. When the underneath sections of hair are complete, move to the next layers, finishing with the hair around the part line.
- Take about a 5cm section of hair and pull taut and down and away from the scalp. Holding the straightener with the other hand, start at the roots and clamp the hair firmly between the plates.
- Firmly holding the plates together, run the straightener down through the entire length of the section of hair from roots to ends, in one smooth stroke.

- Repeat until the desired amount of straightening has been achieved.

MAINTENANCE

This straightener is designed for household use and is virtually maintenance free. If cleaning becomes necessary, disconnect the unit from the power outlet, allow it to cool, and then wipe the exterior surface and the plates with a soft damp cloth. Do not immerse the unit in any liquid. Do not use an abrasive cleaning fluid or material to clean the ceramic coated plates as this will scratch the surface.

STORAGE

When not in use, always unplug the straightener from the power outlet. Allow the straightener to cool and store out of the reach of children in a safe dry place. Never wrap the power cord around the straightener since this will cause the cord to wear prematurely and break. Handle the cord carefully for long life and avoid jerking, twisting or straining especially at the plug connections. If the cord becomes twisted in use, periodically straighten it.



WARNING: Do not use this appliance near bathtubs, showers, basins or other vessels containing water.

As with all electrical appliances, the power cord must be regularly checked for wear and tear. Immediately cease using this product if the power cord shows any signs of damage.

This product conforms to radio frequency interference requirements.
Any product purchased and used commercially carries a limited 90 Day Warranty.

Spectrum Brands Australia Pty Ltd and Spectrum Brands New Zealand Limited

WARRANTY AGAINST DEFECTS

In this warranty:

Australian Consumer Law means the Australian consumer law set out in Schedule 2 to the Competition and Consumer Act 2010;

CGA means the New Zealand Consumer Guarantees Act 1993;

Goods means the product or equipment which was accompanied by this warranty and purchased in Australia or New Zealand, as the case may be;

Manufacturer, We or us means:

1. for Goods purchased in Australia, Spectrum Brands Australia Pty Ltd
ACN, 007 070 573; or
2. for Goods purchased in New Zealand, Spectrum Brands New Zealand Limited,
as the case may be, contact details as set out at the end of this warranty;

Supplier means the authorised distributor or retailer of the Goods that sold you the Goods in Australia or in New Zealand; and

You means you, the original end-user purchaser of the Goods.

1. Our goods come with guarantees that cannot be excluded under the Australian Consumer Law, or the CGA. You are entitled to a replacement or refund for a major failure and compensation for any other reasonably foreseeable loss or damage. You are also entitled to have the goods repaired or replaced if the goods fail to be of acceptable quality and the failure does not amount to a major failure.
2. The benefits provided by this Warranty are in addition to all other rights and remedies in respect of the Goods which the consumer has under either the Australian Consumer Law or the CGA. The original purchaser of the Goods is provided with the following Warranty subject to the Warranty Conditions:
3. We warrant the Goods for all parts defective in workmanship or materials for the period of five (5) years from the date of purchase (**Warranty Period**). If the Goods prove defective within the Warranty Period by reason of improper workmanship or material, we may, at our own discretion, repair or replace the Goods without charge.

Warranty Conditions

4. The Goods must be used in accordance with the manufacturer's instructions. This Warranty does not apply should the defect in or failure of the Goods be attributable to misuse, abuse, accident or non-observance of manufacturer's instructions on the part of the user. As far as the law permits, the manufacturer does not accept liability for any direct or consequential loss, damage or other expense caused by or arising out of any failure to use the Goods in accordance with the manufacturer's instructions.
5. Exhaustible components (such as shaver heads, cutters and foils) of the Goods are included under this Warranty only where there is a defect in workmanship or materials used.
6. The warranty granted under clause 3 is limited to repair or replacement only.
7. Any parts of the Goods replaced during repairs or any product replaced remain the property of the manufacturer. In the event of the Goods being replaced during the Warranty Period, the warranty on the replacement Goods will expire on the same date as for the Warranty Period on the original Goods which are replaced.

8. In order to claim under the warranty granted under clause 3 you must:
 - (a) Retain this warranty with your receipt/proof of purchase; and
 - (b) Return the Goods to us at the relevant address below or to the Supplier by prepaid freight within the Warranty Period accompanied with (i) the legible and unmodified original proof of purchase, which clearly indicates the name and address of the Supplier, the date and place of purchase, the product name or other product serial number and (ii) this warranty.
9. This warranty is immediately void if:
 - (a) Any serial number or appliance plate is removed or defaced;
 - (b) The Goods have been serviced or otherwise repaired by a person not authorised to do so by us or where non approved replaced parts are used.
10. The Goods are designed for domestic use only. A limited 90-day Warranty applies to any industrial or commercial use of the Goods. The Goods must be connected to the electrical voltage requirements as specified in the ratings label located on the Goods.
11. This warranty does not cover the cost of claiming under the warranty or transport of the Goods to and from the Supplier or us.
12. This warranty is only valid and enforceable in Australia against Spectrum Brands Australia Pty Ltd and in New Zealand against Spectrum Brands New Zealand Limited.

Contact us or the Supplier for further details.

Spectrum Brands Australia Pty Ltd

Locked Bag 3004

Braeside, VIC 3195

AUSTRALIA

Customer service in Australia: 1800 623 118

E-mail: consumer.enquiry@remington-products.com.au

Website: www.remington-products.com.au

Spectrum Brands New Zealand Limited

PO Box 9817

Newmarket, Auckland 1149

NEW ZEALAND

Customer service in New Zealand: 0800 736 776

E-mail: info@remington.co.nz

Website: www.remington.co.nz

REMINGTON

REMINGTON SERVICE HOTLINE

① Australia 1800 623 118 (toll free)

① New Zealand 0800 736 776 (toll free)

® Registered Trademark of Spectrum Brands, Inc. or one of its subsidiaries

© 2018 Spectrum Brands, Inc.

Rev. 05/18

Part No. T22-7000219

Type: S13A

