



Profit from the Eagle Advantage®

Specification Sheet

Short Form Specifications

Eagle Rice Cooker Table, model _____. Top is 16 gauge type 430 stainless steel with all edges turned down 90°. Cutout in top for rice cooker. Two adjustable undershelves—available in galvanized or stainless steel. 1 5/8" O.D. Available with galvanized tubular legs and high impact plastic feet, or with stainless steel leg and stainless steel feet.



rice cooker table



shown with rice cooker
(not sold by Eagle)

Item No.:	_____
Project No.:	_____
S.I.S. No.:	_____

Rice Cooker Tables

MODELS:

- T3224RCB
- T3424RCB
- T3224RCSB
- T3424RCSB

Design and Construction Features

- 16 gauge type 430 stainless steel tabletop, with edges turned down at 90° on all four sides and with cutout for rice cooker.
- Heavy duty zinc-plated gussets.
- Available with 1 5/8" (41mm)-diameter galvanized or stainless steel legs.
- Adjustable high-impact plastic or stainless steel feet.
- Available with either adjustable 18 gauge galvanized or stainless steel undershelves.
- Accommodates most popular brand cookers.

EAGLE GROUP
 100 Industrial Boulevard, Clayton, DE 19938-8903 USA
 Phone: 302-653-3000 • 800-441-8440 • Fax: 302-653-2065
www.eaglegrp.com
www.eaglegrp.com

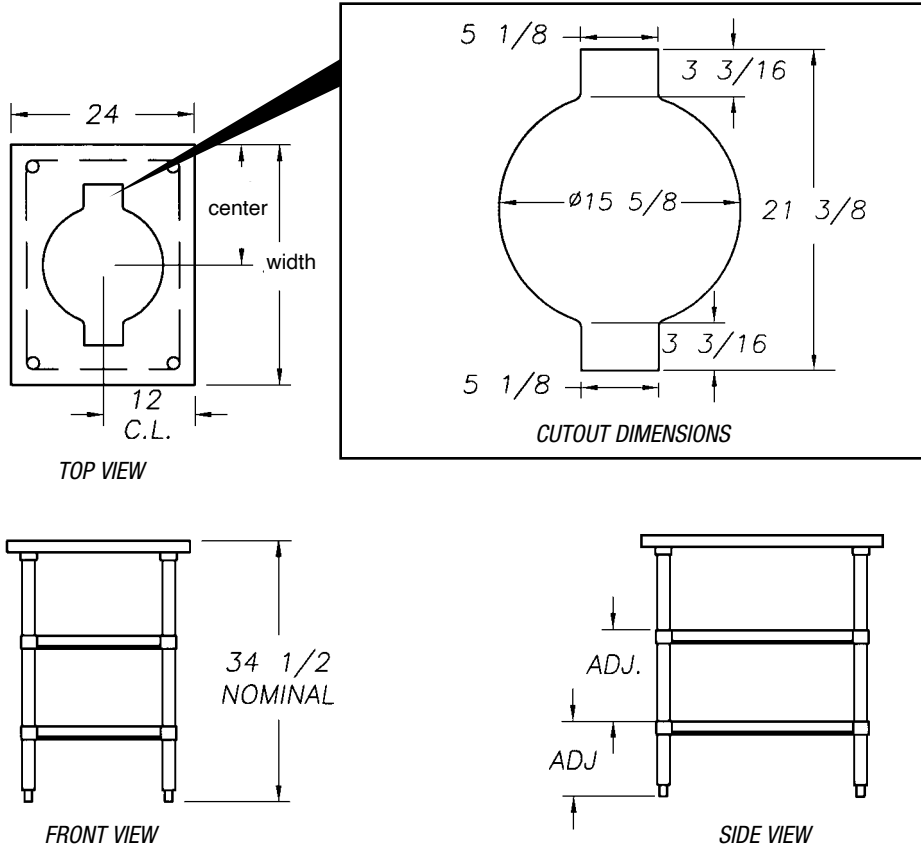
For custom configuration or fabrication needs, contact our **SpecFAB® Division**.
 Phone: 302-653-3000 • Fax: 302-653-2065 • e-mail: quotes@eaglegrp.com





Item No.: _____
 Project No.: _____
 S.I.S. No.: _____

Rice Cooker Tables



Tables with Galvanized Legs and Undershelf

With high-impact plastic feet.

model #	width		length		weight	
	in.	mm	in.	mm	lbs.	kg
T3224RCB	32"	813	24"	610	53	24.0
T3424RCB	34"	864	24"	610	56	25.4

Tables with Stainless Steel Legs, Feet, and Undershelf

model #	width		length		weight	
	in.	mm	in.	mm	lbs.	kg
T3224RCSB	32"	813	24"	610	53	24.0
T3424RCSB	34"	864	24"	610	56	25.4

EAGLE GROUP

100 Industrial Boulevard, Clayton, DE 19938-8903 USA

Phone: 302-653-3000 or 800-441-8440 • Fax: 302-653-2065

www.eaglegrp.com • www.eaglemhc.com

Printed in U.S.A.
 ©2023 by Eagle Group

Rev. 11/23

Spec sheets available for viewing, printing or downloading from our online literature library at our websites

Although every attempt has been made to ensure the accuracy of the information provided, we cannot be held responsible for typographical or printing errors. Information and specifications are subject to change without notice. Please confirm at time of order.

