

SENCOR®

STM 7330SL

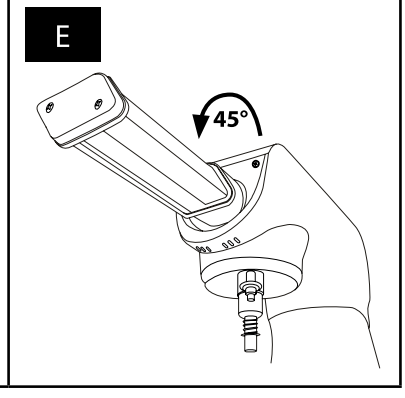
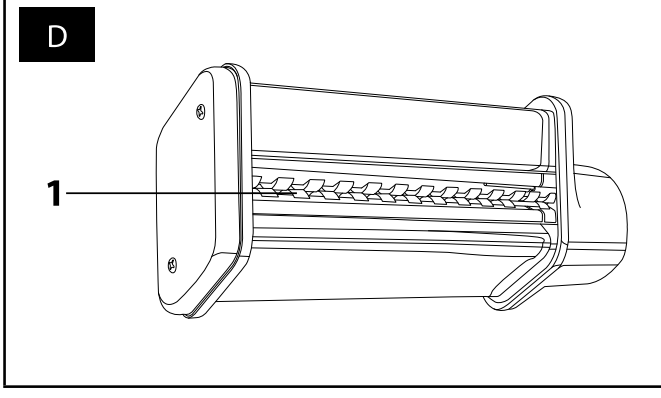
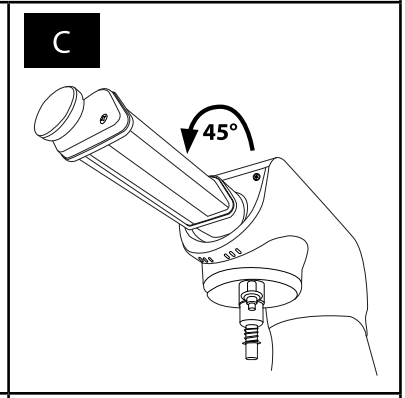
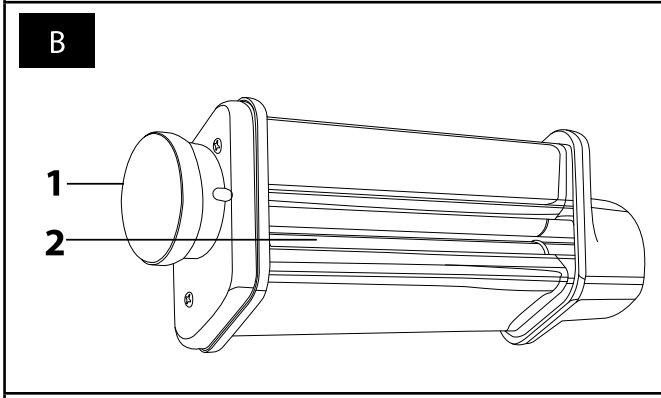
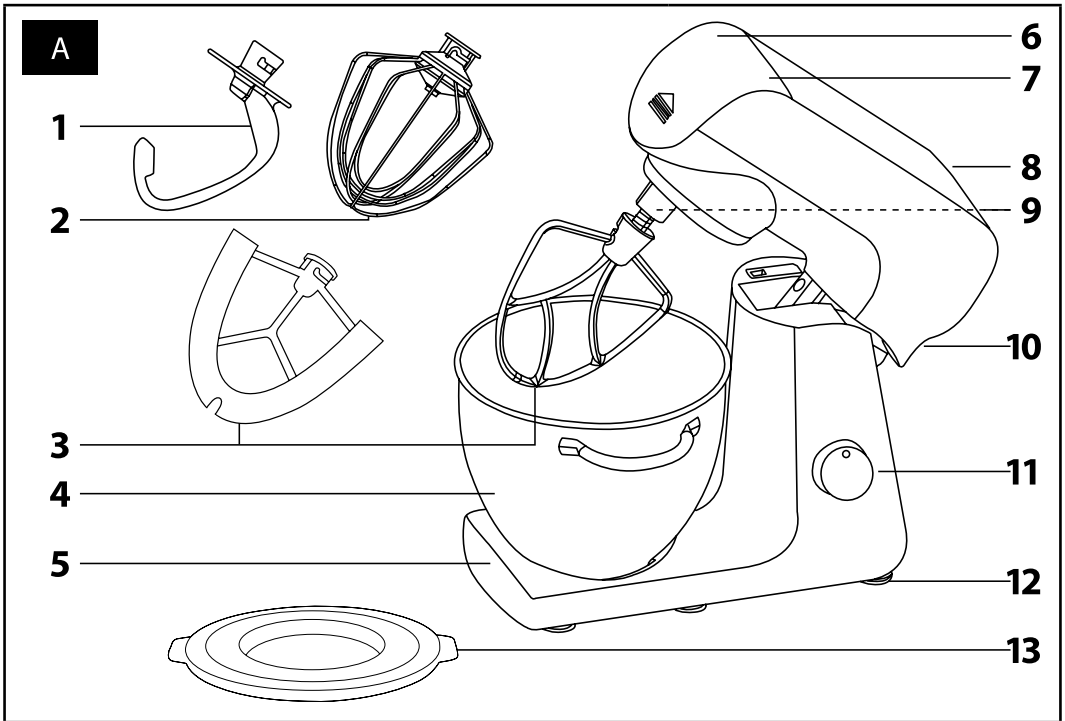


EN ■ Food Processor

READ CAREFULLY AND STORE FOR FUTURE USE.

- Children must not use this appliance or play with it. Keep this appliance and its power cord out of reach of children.
- This appliance may be used by persons with physical or mental impairments or by inexperienced persons, if they are properly supervised or have been informed about how to use the product in a safe manner and understand the potential dangers.
- Before connecting this appliance to a power socket, make sure the voltage stated on the product's rating label corresponds to the voltage in your power socket.
- Never use accessories, which have not been supplied with this appliance or which have not been explicitly recommended by the manufacturer.
- The appliance is intended and designed for processing a standard amount of food in the household.
- Do not use the appliance for anything other than its intended purpose.
- Do not use the appliance in an industrial environment or outdoors.
- Do not place the appliance on window sills or on unstable surfaces. Only place the appliance on an even, dry and stable surface.
- Do not place the appliance on an electric or gas stove, in the vicinity of an open flame or appliances that are sources of heat.
- Ensure that the power plug contacts do not come into contact with water or moisture.
- Never use multiple attachments simultaneously.
- Do not wash the appliance (except for the removable parts) under running water and do not submerge it in water or any other liquid.
- Always turn off the appliance, disconnect it from the power socket if you will not be using it, if you will be leaving it without supervision, and before assembling, disassembling, cleaning or moving it. Prior to disassembling the appliance and replacing accessories or accessible parts that move during use, wait until all moving parts come to a stop.
- For safety reasons, this appliance is equipped with a safety mechanism that prevents the motor from being started if the appliance's arm is tilted out.
- Before putting the appliance into operation, check that it is correctly assembled and that the arm is in the horizontal position.

- Allow hot liquids or food to cool down before mixing them.
- Do not attempt to grind bones, nut shells or other hard ingredients.
- Do not leave the appliance in continuous operation under a heavy load for a period longer than 10 minutes. Before turning it on again, allow it to cool down for at least 30 minutes.
- Do not tilt out the arm or put your hands or items, such as a kitchen knife, fork or wooden spoon, into the bowl while the appliance is running. Do not touch rotating parts of the appliance or attachments and ensure that foreign items such as clothing, hair, etc. are kept away. An injury could occur or the appliance could be damaged.
- If an item, such as a spoon, falls into the mixing bowl while the appliance is running, immediately set the speed control knob to the OFF position (stand-by mode), disconnect the power cord from the power socket and take the item out of the bowl.
- If ingredients stick to the attachments or the inside of the bowl, turn off the appliance and disconnect it from the power socket. Use a spatula to clean the attachments and the inside of the bowl. Then you can continue mixing.
- Never use your fingers or other items to push ingredients through the feed tube of the meat grinder or the slicing and grating attachment. For this purpose there is a pusher included as an accessory to this appliance.
- The appliance must not run without a load. The incorrect use of the appliance may negatively affect its lifetime.
- Before storing the appliance, check that the stand arm is tilted to the horizontal position.
- Do not place heavy items on the power cord. Make sure the power cord does not hang over the edge of a table or that it does not touch a hot surface.
- Do not disconnect the appliance from the power socket by pulling on the power cord. This could damage the power cord or the power socket. Disconnect the cord from the power socket by gently pulling the plug of the power cord.
- If the power cord is damaged, have it replaced at a specialised service centre. It is forbidden to use the appliance if it has a damaged power cord or plug.
- To avoid the danger of injury by electrical shock, do not repair the appliance yourself or make any adjustments to it. Have all repairs or adjustments of the appliance performed at an authorised service centre. By tampering with the appliance you risk voiding your legal rights arising from unsatisfactory performance or quality warranty.



- Prior to using this appliance, please read the user's manual thoroughly, even if you already have experience in using similar appliances. Only use the appliance in the manner described in this user's manual. Keep this user's manual in a safe place where it can be easily retrieved for future use.
- We recommend saving the original cardboard box, packaging material, purchase receipt and responsibility statement of the vendor and warranty card for at least the duration of the legal liability for unsatisfactory performance or quality. In the event of transportation, pack the appliance using the original packaging materials only.

DESCRIPTION OF THE FOOD PROCESSOR

- A1** Kneading hook
A2 Balloon whisk
A3 A-shaped beater / A-shaped flexi beater
A4 4.5-litre stainless steel bowl with handles / 5-litre stainless steel bowl with one handle
A5 Base unit
A6 Button for the release of the meat grinding attachment and the grating and slicing attachment is located under the removable cover **A7**
A7 Removable cover for the connection hub for the meat grinding attachment and the grating and slicing attachment
- A8** Tilt-out arm with a multi-function head
A9 Shaft for connecting attachments **A1**, **A2** or **A3**
A10 Slider button for unlocking the arm **A8** is located on the rear side of the arm
A11 Speed control knob enables the variable setting of 9 speed levels
 OFF (turn off to stand-by mode) – speed level 1, 2, 3, 4, 5, 6, 7, 8, MAX
A12 Anti-slip feet
A13 Storage lid for 4.5-litre bowl / Storage lid for 5-litre bowl

BEFORE FIRST USE

1. Take the appliance and its accessories out of the packaging materials.
2. Thoroughly wash all removable parts, i.e. kneading hook **A1**, whisk **A2**, beater **A3** and the stainless steel mixing bowl **A4**, using warm water and a neutral kitchen detergent. Then rinse them with clean water and dry thoroughly with a fine wiping cloth.

PURPOSE OF USE OF THE FOOD PROCESSOR

- Thanks to a wide range of accessories, this food processor will find its place in every kitchen. You can use it to beat, whip, knead, grind, mince, grate or to make kebabs or homemade sausages.

BLENDING, WHIPPING AND KNEADING

PLANETARY MIXING SYSTEM

- The planetary mixing system is based on the principle of dual rotation of the attachment. The attachment rotates anticlockwise along the inner perimeter of the bowl while rotating around its own axis in the opposite direction. This ensures that ingredients are processed thoroughly and evenly.

SELECTING ATTACHMENT TYPES

ATTACHMENT TYPE	APPLICATION
Kneading hook A1	It is used for kneading and preparing heavy and thick doughs containing yeast, e.g. bread dough.
Beater A3	It is used for mixing medium heavy and lighter doughs not containing yeast, for mixing sauces, creams, fillings, etc.
Whisk A2	It is used for whisking whole eggs or egg whites, whipped cream, light doughs, foamy creams, etc. Do not use it for mixing heavy and thick doughs.

ASSEMBLING AND DISASSEMBLING THE FOOD PROCESSOR

- Before you start assembling or disassembling the food processor, check that it is turned off and disconnected from the el. power socket.

1. Inserting the mixing bowl

- 1.1 Place the food processor on an even, dry surface, for example on a kitchen countertop.
- 1.2 Slide button **A10** upwards and hold it there. Tilt out the arm **A8**. To lock the arm **A8** in the open position, release button **A10**.

- 1.3 Place the stainless steel bowl **A4** into the hole in the base unit **A5** and secure it in place by turning it clockwise. When the bowl **A4** is properly attached, it is not possible to lift it off the base unit **A5**.

2. Attaching an attachment (kneading hook, beater or whisk)

- 2.1 When attaching an attachment, the arm **A8** must be secured in the open position, see point 1.2 in chapter Inserting the mixing bowl. Attach one of the attachments on to the shaft of the mixing head **A9** so that the shaft **A9** fits into the hole on the attachment. Push the attachment towards the mixing head **A8** and turn it anticlockwise to secure it to the shaft **A9**.
- 2.2 With one hand, hold the attachment and gently pull it downwards. If it is properly secured to the shaft **A9**, it will not come off.
- 2.3 If you will not be immediately placing ingredients into the mixing bowl **A4**, slide the button **A10** upwards, hold it down and tilt the arm **A8** to the horizontal position. After tilting the arm **A8** to the horizontal position, release the button **A10**.

3. Removing the attachments and mixing bowl

- 3.1 Slide button **A10** upwards and hold it there. Tilt out the arm **A8**. To lock the arm **A8** in the open position, release button **A10**.
- 3.2 Hold the attachment and gently push it against the mixing head **A8**. Then rotate it clockwise until it is released from the shaft **A9** and take it off. Turn the mixing bowl **A4** anticlockwise and take it off the base unit **A5**. Move the arm **A8** back to the horizontal position.

USING THE MIXER

1. Tilt out the arm **A8** and place ingredients into the bowl **A4** located in the base unit **A5**.



Attention:

The maximum weight of the ingredients that can be processed in a single batch is 1.5 kg. The maximum number of egg whites that can be whisked at once is 8 pieces.

2. Tilt the arm **A8** with the attached attachment down to the horizontal position.
3. Make sure that the food processor is correctly assembled and that the speed control knob **A11** is set to the OFF position (stand-by mode). Connect the power cord to an el. power socket.
4. Use the speed control knob **A11** to set the required speed level from 1 to 8. First, set a lower speed to prevent ingredients from being splattered around. As soon as they are mixed together, increase the speed to the required level. The speed can be adjusted at any time as required.



Attention:

If it is necessary to wipe ingredients off the inside of the mixing bowl **A4** and the attachment, first turn off the food processor by setting the speed control knob **A11** to the OFF position (stand-by mode) and then disconnect it from the power socket. Then wipe away the ingredients using a plastic spatula.

The maximum operating time is 10 minutes. Do not leave the appliance in continuous operation for longer than indicated above. This is especially true under a heavy load (e.g. when processing heavy, thick doughs). If the appliance is in operation under heavy load, allow it to cool down for at least 30 minutes before turning it on again.

5. After you have finished using the appliance, set the speed control knob **A11** to the OFF position (stand-by mode) and disconnect the power cord from the power socket.
6. Disassemble the food processor according to the instructions included in chapter Assembling and disassembling the food processor. Use a soft plastic spatula to remove mixes from the mixing bowl **A4** and the attachment.
7. Clean out the food processor after each use according to the instructions in chapter Cleaning and maintenance.

QUICK GUIDE TO MIXING

Attachment type	Ingredients	Amount	Processing time	Speed selection
Whisk A2	Egg whites	max. 8 pcs	5 minutes	Level 8
Whisk A2	Cream	250 ml	3 minutes	Level 8
Whisk A2	Mayonnaise	3 egg yolks	1 minute	Level 3–5
Beater A3	Cake dough	approx. 800 g	6 minutes	Level 3–7
Kneading hook A1	Bread dough	max. 600 g of flour	4 minutes	Level 3



Note:

The above processing times are only a reference. To prevent ingredients from splattering out of the bowl, select an initial speed level of 1 or 2. Later set a higher speed based on requirements.

CLEANING AND MAINTENANCE

- Before cleaning the food processor, always turn it off by setting the speed control knob **A11** to the OFF position and disconnect it from the power socket.
- After each use, thoroughly wash the accessories (assembled attachments must be first disassembled into their individual parts) with warm water and neutral kitchen detergent. Then rinse under clean running water and wipe dry with a fine wiping cloth.



Attention:

Plastic accessories may be washed in a dishwasher. Do not wash metal parts in a dishwasher, otherwise their surface may be damaged. Certain foods may cause discolouration of plastic parts on accessories. If this occurs, coat these parts with cooking oil and then wash in the normal way.



Tip:

If you whisked egg whites, first rinse the whisk **A2** and the mixing bowl **A4** under cold water. If you were to use hot water, the egg white remains would harden and their removal would be more difficult.

- To clean the base **A5** and the arm **A8**, use a cloth dipped in a weak detergent solution. Then wipe everything dry.
- Never submerge the appliance or its power cord in water or any other liquids. For cleaning do not use thinners or solvents or cleaning agents causing abrasion. Otherwise the surface of the appliance may be damaged.

STORAGE

- If you will not be using the food processor, store it in a dry place out of children's reach. Make sure that the arm **A8** is tilted into the horizontal position.

TIPS AND ADVICE FOR PREPARING VARIOUS TYPES OF DOUGHS AND BAKING THEM

BREAD DOUGH – INGREDIENTS

FLOUR

This is the most important ingredient used for baking bread. Together with yeast it creates the texture of the loaf. When it is mixed with a liquid, the proteins contained in it start to create gluten. Gluten is a web of flexible fibres which entrap gases produced by the yeast.

White wheat flour

It is sold as bread flour, flour or fine wheat flour. Fine flour is the most readily available, nevertheless, you will achieve better result with flour with a protein content of at least 11% to 12%. The recipes included in this user's manual require the use of bread flour with a protein content of 11%. This information is provided on the packaging of the flour. Do not sieve the flour or use flour with baking powder unless specified in the recipe.

Whole grain wheat flour

It is produced from wheat grains and contains bran and germ. Bread baked from this type of flour will be denser. You will achieve a less dense bread by replacing one cup of whole grain flour with one cup of white bread flour.

Rye flour

It is very popular in bread making. It contains a large amount of mineral compounds, but has a low protein content and so it is usually combined with wheat flour to ensure that the bread rises well.

Gluten flour

It is produced by extracting gluten from wheat grains. Adding gluten flour can improve the texture and quality of the bread when using a flour with a lower protein content.

BREAD MIXES

They contain flour, sugar, dried milk, salt and other ingredients such as bread improver. Usually water and yeast is added.

BREAD IMPROVER

It is available in supermarkets and health food stores. The ingredients contained in bread improver are usually food processing industry acids such as ascorbic acid (vitamin C) and enzymes (amylase) extracted from wheat flour. Bread improver will help in firming up the dough, thus achieving a larger size loaf and finer texture. The bread is more stable and lasts longer.

SUGAR

It provides sweetness, flavour and a brown colour to the bread crust. It is added to yeast. White sugar, brown sugar or honey are suitable.

DRIED MILK AND DAIRY PRODUCTS

They enrich the taste and increase the nutritional value of the bread. Dried milk is suitable and easy to use. Store it in an air-tight container in the refrigerator. Likewise, dried soya milk may be used but it makes the bread tougher. Fresh milk should not be substituted unless indicated in the recipe otherwise.

SALT

It is an important ingredient for baking bread. It increases the absorption capacity of the dough, improves kneading, supports gluten development and has an effect on the shape of the loaf, texture of the crumb, taste and increases the lifetime of the bread. Measure it out carefully as it prevents the bread from rising.

FAT

Adds flavour and retains moisture. Vegetable oils such as safflower, sunflower or rape seed oil may be used. Oils can be substituted for by butter or margarine, however the crust colour may become yellowish.

YEAST

It is used as a leavening agent. The recipes in this user's manual use dried yeast. Prior to using dried yeast, always check the use-by-date because yeast with an expired use-by-date may cause the dough not to rise.

Three times as much fresh or pressed yeast must be used compared to dried yeast. To create a starter, one needs liquid, sugar and heat.

FAST RISING YEAST

It is a mix of yeast and bread improver. If you wish to replace standard yeast in your recipe with this type of yeast then leave out the bread improver. Fast rising dough should not be used in combination with bread mixes as a bread improver is usually already contained in them.

WATER

Standard tap water is usually used. It is necessary to warm cold water up to room temperature before use. Water that is too cold or too hot will prevent the starter from forming.

EGGS

They are used in certain bread recipes. They help the dough to rise and increase the nutritional value of the bread. They add flavour and a fine crust and usually are used for sweeter types of bread.

OTHER INGREDIENTS

Ingredients such as dried fruit, nuts, chocolate chips, etc. which should remain whole in the baked bread, should be mixed into the dough. They should be added to the dough gradually during the kneading process before the dough rises.

BREAD DOUGH – PREPARATION

- Check the minimum lifetime or the use-by-date of all the ingredients.
- Add the ingredients in the order that they are provided in the recipe.
- Store opened foods in air-tight containers.
- Allow ingredients that you have taken out of the refrigerator to first reach room temperature before using them.
- If not indicated in the recipe otherwise, use bread flour. Do not use flour with a protein content lower than 11 %.
- Do not use flour with baking powder for making a yeast-based bread, unless indicated otherwise in the recipe.
- If you live in a location that is above 900 m above sea level, you will probably need to adjust the amount of yeast indicated in the recipe. The higher the above-sea-level altitude, the lower the air pressure and the faster dough rises. It is recommended to use ¼ of a teaspoon of yeast less than indicated in the recipe.
- If the weather is hot and humid, use ¼ of a teaspoon of yeast less than is indicated in the recipe to prevent the dough from over-rising.
- The properties of the flour may change with the season or type of storage. Then it is necessary to adjust the water to flour ratio in the following way. If the dough is too sticky, add 1 to 2 tablespoons of flour. If the dough is too dry, add 1 to 2 tablespoons of water. Several minutes are needed for these ingredients to be absorbed. It should be possible to shape a dough with the right amount of flour and water into a smooth loaf that is moist to touch but not sticky.

How to prepare a yeast starter

- Pour the amount of warm water indicated in the recipe into a clean glass bowl. Then add the necessary amount of fresh or pressed yeast together with 1 teaspoon of sugar and one teaspoon of flour. Carefully mix everything together and cover with a plastic bag. Leave it in a warm place (30 °C) for approximately 30 minutes or until the mixture foams up. This mixture should be used immediately.

Rising in a warm location

- Yeast, whether it be during fermentation or in the dough, requires heat to grow in volume. Create a warm place for rising your dough by placing a metal baking tray onto a bowl with sufficiently hot water. Place the prepared dough on to the baking tray and cover with a lightly greased thicker plastic bag or a kitchen wiping cloth. A warm location without a draft is required for dough to rise. Allow the dough to rise until it doubles in volume.

CAKE AND PASTRY DOUGH – INGREDIENTS

FLOUR

Flour used for cakes and fine pastries should have a lower protein (gluten) content, than flour used for baking bread.

Medium-fine and fine flour

This flour has a lower protein (gluten) content and gives the baked goods, such as cakes, tarts, fine pastry, pancakes a finer texture.

Flour with baking powder

It is a mixture of flour and leavening agents such as baking powder. To make 1 cup of the flour and baking powder mixture, mix 1 cup of flour with 2 teaspoons of baking powder.

Whole grain flour

Contains bran and wheat germ and may be used in doughs for tarts and pies. The texture of a product made from whole wheat flour will be denser.

Corn flour

It is made from corn and is used for certain baked goods to which it loans a finer texture. It may be used to thicken sauces and desserts.

Rice flour

It is made from rice and is used to make the texture of baked goods finer, for example for shortcrust pastry.

BAKING POWDER

It is used as a leavening agent in baking.

BAKING SODA

It is known as sodium bicarbonate. It can be used as an additional leavening agent or for darkening certain baked goods.

BUTTER

It provides a specific taste and a fine texture to baked goods. In certain recipes it is possible to substitute oil for butter, however the resulting taste and texture of the baked good will be different. In this case, use $\frac{1}{4}$ less butter than the amount of oil indicated in the recipe. Before you start whipping butter together with sugar, allow it to soften at room temperature.

EGGS

Eggs should be at room temperature to give the correct volume to baked goods. Crack the eggs individually into a separate bowl and only then add to the other ingredients. This will prevent ruining the entire batch if one of the eggs is rotten. If you will be whisking the egg whites, carefully separate them from the yolks. Egg yolks contain fat and their remains prevent the successful whipping up of egg whites. Before you start whipping the egg whites, make sure that the whisk and the mixing bowl are completely clean and without fat residues. Otherwise, the egg whites might not be perfectly whipped.

MILK

Full-cream milk should be used unless indicated in the recipe otherwise. Low-fat or half-cream milk can be used but the final taste and texture of the baked goods may be different.

SUGAR

Usually white granulated sugar is used. It adds flavour, texture and colour to baked goods.

Caster sugar is also frequently used because it dissolves easier when it is whipped with butter. Brown sugar may be used to add a different taste and colour to the baked goods.

BAKING

- Allow the oven to preheat to the correct temperature before starting baking.
- The baking temperature may differ depending on the type of baking oven. Reduce the temperature indicated in the recipe by 15–20 °C if using a hot-air oven.
- Instead of floured baking pans and trays, you can use parchment paper if appropriate. You can coat the baking pan with a small amount of fat to prevent the parchment paper from sliding on the smooth surface of the baking pan.

- Test that the baked good is finished before taking it out of the oven. Gently touch the top of the baked good, if it returns to its initial shape, it should be properly baked. Carefully insert a skewer into the middle of the baked good and pull it out. If the dough does not stick to the skewer, the baked good is finished.
- To make biscuits crispier, take the baking tray out of the oven and place it onto a metal rack. Move the individual items on the baking tray from their baking location and allow them to cool down. Once they cool down move them from the baking tray to a platter.

RECIPES

Sponge cake

4 eggs, separated egg whites from yolks

$\frac{1}{4}$ of a cup of caster sugar

1 cup (150 g) of medium-fine flour with baking powder, sieved

3 tablespoons of water

- Use the whisk **A2**.
- Set the speed level to 8 and whisk up the egg whites into a thick foam. Reduce the speed level to 1 and slowly add sugar until the foam thickens and stops to be smooth.
- Add the egg yolks and mix carefully.
- Set the speed level to 1 and intermittently add flour and water. Whisk until the ingredients combine.
- Pour the dough into a pre-prepared greased and floured baking pan.
- Bake in a preheated oven at 180 °C for approx. 20–25 minutes.
- Allow the baked sponge cake to cool down on a metal rack.

Vanilla batter dough cake

125 g of butter, softened

$\frac{3}{4}$ of a cup of caster sugar

1 teaspoon of vanilla essence

2 egg

2 cups (300 g) of medium-fine flour with baking powder, sieved

$\frac{3}{4}$ of a cup of milk

- Use the beater **A3**.
- Set the speed to 8 and beat the butter together with sugar until the mixture is fluffy and smooth.
- Add the vanilla essence, eggs one after the other and beat them thoroughly.
- Reduce the speed to 2 and slowly intermittently add flour and milk and beat until a smooth dough forms.
- Pour the dough into a pre-greased and floured baking pan with a diameter of 22 cm.
- Bake in a preheated oven at 180 °C for approximately 45–50 minutes or until the dough is golden in colour.
- Allow the baked cake to cool down on a metal platter.

Butter biscuits (approx. 40 pcs)

125 g of butter, softened

$\frac{3}{4}$ of a cup of caster sugar

1 teaspoon of vanilla essence

1 egg

2 cups (300 g) of medium-fine flour

1 teaspoon of baking powder

- Use the beater **A3**.
- Set the speed to 8 and beat the butter until smooth. Add sugar, vanilla essence and the egg. Beat until a light smooth mixture is created.
- Mix the flour and the baking powder.
- Set the speed to 2 and gradually add the flour until everything is properly combined into a single mass. Do not, however, beat for too long.
- Use a teaspoon to form small balls and lay them out evenly on to a lightly greased or parchment paper covered baking tray. Leave sufficient room around each ball. Using a lightly floured fork, push down each of the balls.
- Bake in a preheated oven at 190 °C for approximately 12–15 minutes or until the biscuits are lightly golden in colour.
- Take the biscuits off the baking tray and leave to cool down on a metal rack.

Cream snow puffs (20–24 pcs)

4 egg whites

1 cup of caster sugar

- Use the whisk **A2**.

- Set the speed level to 8 and whip up a thick snow from the egg whites. Lower the speed to level 1 and carefully add half the sugar and whip it in. Then add the remaining sugar.
- Using a spoon, apply a small amount of the snowy mixture on to a lightly greased baking tray. Leave about 3 cm around the individual pieces so that they do not bake to one another.

- Bake in the oven at 120 °C about 1 to 1½ hours or until the snow puffs are dry. To avoid burning them, do not, however, bake then too long. Take them off the baking tray and put them aside to cool down and store them in an air-tight container.



Note:

You can use a decorating tool to create larger snow puffs. This may necessitate a longer baking time.

White bread

- 4 cups (600 g) of bread flour
- 3 tablespoons of dried milk
- 1½ teaspoons of salt
- 1½ tablespoons of sugar
- 1 teaspoon of bread improver
- 2 teaspoons of instant yeast
- 2 tablespoons of oil
- 1½ cups (375 ml) of water
- additional bread flour for hand kneading

- Use the kneading hook **A1**.
- In the mixing bowl, mix the flour, dried milk, salt, sugar, bread improver and the instant yeast.
- Set the speed to 1–2 and slowly add water and oil into the dry mix. Leave it to knead until a dough starts to form.
- Move the dough on to a lightly floured rolling board and thoroughly knead by hand until the dough is sufficiently fine and smooth.



Note:

At this stage, the dough should be very well kneaded so that gluten is formed, which gives the dough the correct elasticity and helps it to rise.

- Place the dough into a large bowl and cover with plastic wrap. Allow it to rise in a warm place for about 20 minutes or until the dough doubles in size.
- Take the risen dough out of the bowl and knead once more on a lightly floured rolling board.
- Place the dough into a baking pan. Cover with plastic wrap and allow it rise in a warm place for about 30–40 minutes or until the dough has risen sufficiently. Remove the plastic wrap.
- You can apply an egg glaze before baking.
- Bake in a preheated oven at 200 °C for approximately 40–50 minutes or until the bread is golden in colour.
- Allow the baked bread to cool down for 15 to 20 minutes and then remove it from the baking pan. Allow the loaf to cool down completely before cutting it, to prevent it from collapsing.

Egg glaze for bread dough

- 1 egg, lightly beaten
- 2–3 tablespoons of water

- Mix both ingredients together until a smooth mixture is formed. Do not whip. If necessary strain through a sieve. Brush the egg glaze on to the bread dough before baking.

Focaccia (2–4 portions)

- 3 cups (450 g) of bread flour
- 1 teaspoon of salt
- 2 teaspoons of sugar
- 2 teaspoons of instant yeast
- 2 tablespoons of olive oil
- 1 cup (250 ml) of water

For glazing:

- 2 tablespoons of olive oil
- 1 tablespoon of coarse salt
- 2 tablespoons of black olives, sliced

- Use the kneading hook **A1**.
- In the mixing bowl, mix the flour, salt, sugar and yeast.
- Set the speed to 1–2 and slowly add water and oil into the dry mix. Leave it to knead until a dough starts to form.
- Move the dough on to a lightly floured rolling board and thoroughly knead by hand until a fine smooth dough forms.
- Place the dough into a large bowl and cover with plastic wrap. Allow it to rise in a warm place for about 20 minutes or until the dough doubles in size.
- Take the risen dough out of the bowl and knead once more on a lightly floured rolling board.
- Place the dough into a lightly greased Teflon baking pan of dimensions 20 × 30 cm and roll into the shape of the baking pan.
- Lightly cover with plastic wrap and allow it rise in a warm place for about 20–30 minutes or until the dough has risen a little. Remove the plastic wrap.

- Brush the dough with olive oil and sprinkle on the coarse salt and sliced olives.
- Bake in a preheated oven at 200 °C for approximately 30–35 minutes or until the focaccia bread is golden in colour.
- After taking it out of the oven, allow it to cool down on a metal rack.

PASTA MAKER

INTRODUCTION

- The Lasagne roller attachment STX 011 serves as an optional accessory for food processor models STM 6350WH, STM 6351GR, STM 6352BL, STM 6353OR, STM 6354RD, STM 6355VT, STM 6356YL, STM 6357GG and STM 6358RS.

DESCRIPTION OF THE LASAGNE ROLLER ATTACHMENT

- B1** Sheet thickness selector
The thickness of the sheet can be regulated in a range from 0 to 8, i.e. 0.3 to 2.3 mm (±0.2 mm).
- B2** Dough rollers

BEFORE FIRST USE

1. Take the Lasagne roller attachment out of the packaging material.
2. Wipe the attachment with a lightly damp cloth before first use and then thoroughly wipe dry.

PURPOSE OF USE

- This attachment is used for rolling fresh dough. With this attachment, you will make a sheet up to 140 mm wide. The thickness of the sheet can be regulated in a range from 0.3 to 2.3 mm (±0.2 mm). You can then cut up the sheet by hand to make Lasagne pasta or other types of pasta or you may further process it using the Tagliatelle or Linguine pasta attachments that may be purchased separately.

ATTACHING AND REMOVING THE ATTACHMENT

1. Check that the food processor is turned off and disconnected from the power socket. The arm of the food processor must be tilted down in the horizontal position and the whisk, beater or kneading attachments must be removed. Remove the cover from the multi-function head of the food processor. Push the attachment at an angle of 45° against the attachment hub that is located on the front part of the multi-function head and secure it in place by turning it anticlockwise (see fig. C). The attachment is securely mounted in the correct position when the button located on the front part of the multi-function head of the food processor slides out. An audible click is made when the button slides out. Now the attachment is ready for operation.
2. To remove the attachment, press the attachment release button and remove the attachment by turning it clockwise.

USING THE ATTACHMENT TO MAKE PASTA

1. Prepare some fresh dough and roll it out a bit by hand. Flour the rollers **B2** with some flour.
2. Make sure that the food processor is correctly assembled and that the speed control knob is set to the OFF position (turned off). Insert the power plug into an electrical power socket. Set the sheet thickness selector **B1** to the highest setting. Set the speed control knob to speed level 1. The rollers **B2** will start rotating. Insert the dough from above and repeatedly pass it through between the rollers **B2** until it is flat. Before pulling the dough through the attachment again, you may fold it over. Each time after passing the dough through the attachment, set the thickness selector **B1** to a lower setting and do so until you achieve the required thickness.
3. The table below shows the possible settings for the sheet thickness selector **B1**.

Sheet thickness selector B1 setting	Sheet thickness in mm (±0.2 mm)
0	0.3
1	0.4
2	0.6
3	0.9
4	1.2
5	1.4
6	1.7
7	2.0
8	2.3

The recommended final thickness of the sheet should be in the range from 0 to 3.

- Once the sheet is rolled to the required thickness, turn the the food processor off by setting the speed control knob to position OFF (turned off).



Attention:

Do not insert your fingers or any other items into the attachment and ensure that hair, clothing and other items are kept away during operation. Do not insert anything other than the dough that is to be rolled into the attachment.

- You may then cut up the sheet of dough as necessary or process it using the the Tagliatelle or Linguine pasta attachments that may be purchased separately.
- Clean out the attachment after each use according to the instructions in chapter Cleaning and maintenance.

FRESH DOUGH RECIPE

Ingredients: semolina flour, a medium-sized egg, a pinch of salt for flavouring. Add 1 egg for every 100 g of semolina flour.

- Place all the ingredients into the mixing container of the food processor and knead for approximately 2 to 3 minutes at speed level 1 to 2 using the kneading hook.
- Move the kneaded dough on to a pastry board and knead it a little more with your hands until you achieve a smooth dough.
- Before rolling the dough into a sheet, allow it to rest for approximately 15 minutes. You may then cut up the sheet of dough as necessary or process it using the the Tagliatelle or Linguine pasta attachments that may be purchased separately.
- Boil the freshly made pasta within four hours of making it. The boiling time is between 2 and 4 minutes. For every 100 g of pasta it is necessary to use 1 litre of water and 10 g of salt. Bring the water to a boil, add salt and place the pasta into the boiling water.

CLEANING AND MAINTENANCE

- Before cleaning, always turn off the food processor by setting the speed control dial to the OFF (turned off) position and unplug the power cord. Take the attachment off the food processor making sure that all rotating parts have stopped before doing so.
- Wipe the attachment with a clean, lightly dampened cloth and then dry it. Do not submerge it in water or rinse it under running water.
- For cleaning do not use petrol, thinners, solvents or cleaning agents that cause abrasion. Otherwise the surface of the attachment may be damaged.

PASTA MAKER

INTRODUCTION

- The pasta maker attachment STX 012 serves as an optional accessory for food processor models STM 6350WH, STM 6351GR, STM 6352BL, STM 6353OR, STM 6354RD, STM 6355VT, STM 6356YL, STM 6357GG and STM 6358RS.

DESCRIPTION OF THE PASTA MAKER ATTACHMENT

D1 Blade unit

Serves to cut a rolled sheet of dough into 7 mm wide noodles.

BEFORE FIRST USE

- Take the pasta attachment out of the packaging material.
- Wipe the attachment with a lightly damp cloth before first use and then thoroughly wipe dry.

PURPOSE OF USE

- This attachment is used to make Tagliatelle pasta. It is necessary to first roll the dough out by hand or to use the Lasagne roller attachment that can be purchased separately.

ATTACHING AND REMOVING THE ATTACHMENT

- Check that the food processor is turned off and disconnected from the el. power socket. The arm of the food processor must be tilted down in the horizontal position and the whisk, beater or kneading attachments must be removed. Remove the cover from the multi-function head of the food processor. Push the attachment at an angle of 45° against the attachment hub that is located on the front part of the multi-function head and secure it in place by turning it anticlockwise (see fig. E).

The attachment is securely mounted in the correct position when the button located on the front part of the multi-function head of the food processor slides out. An audible click is made when the button slides out. Now the attachment is ready for operation.

- To remove the attachment, press the attachment release button and remove the attachment by turning it clockwise.

USING THE ATTACHMENT TO MAKE PASTA

- Prepare a sheet of dough up to 140 mm wide. Flour the blade unit **D1** with some flour.
- Make sure that the food processor is correctly assembled and that the speed control knob is set to the OFF position (turned off). Insert the power plug into an electrical power socket. Set the speed control knob to speed level 1. Insert the sheet of dough from above into the attachment and pass it through. This will cut the sheet into 7 mm wide noodles, thereby making Tagliatelle pasta.



Attention:

Do not insert your fingers or any other items into the attachment and ensure that hair, clothing and other items are kept away during operation. Do not insert anything other than the sheet of dough that is to be cut up into the attachment.

- After you have finished, set the speed control dial to the OFF position (turned off) and disconnect the power cord from the power socket.
- Clean out the attachment after each use according to the instructions in chapter Cleaning and maintenance.

DOUGH RECIPE

Ingredients: semolina flour, a medium-sized egg, a pinch of salt for flavouring. Add 1 egg for every 100 g of semolina flour.

- Place all the ingredients into the mixing container of the food processor and knead for approximately 2 to 3 minutes at speed level 1 to 2 using the kneading hook.
- Move the kneaded dough on to a pastry board and knead it a little more with your hands until you achieve a smooth dough.
- Allow the dough to rest for 15 minutes and then roll it out into a sheet using the Lasagne roller attachment (can be purchased separately). Then use the Tagliatelle pasta attachment to cut it into 7 mm wide noodles.
- Boil the freshly made pasta within four hours of making it. The boiling time is between 2 and 4 minutes. For every 100 g of pasta it is necessary to use 1 litre of water and 10 g of salt. Bring the water to a boil, add salt and place the pasta into the boiling water.

CLEANING AND MAINTENANCE

- Before cleaning, always turn off the food processor by setting the speed control dial to the OFF (turned off) position and unplug the power cord. Take the attachment off the food processor making sure that all rotating parts have stopped before doing so.
- Wipe the attachment with clean, lightly dampened cloth and then dry it. Do not submerge it in water or rinse it under running water.
- For cleaning do not use petrol, thinners, solvents or cleaning agents that cause abrasion. Otherwise the surface of the attachment may be damaged.

TECHNICAL SPECIFICATIONS

Rated voltage range.....	220–240 V
Rated frequency.....	50/60 Hz
Rated power input.....	1 200 W
Noise level.....	80 dB(A)

The declared noise emission level of the appliance is 80 dB(A), which represents a level A of acoustic power with respect to a reference acoustic power of 1 pW.

Changes to text and technical parameters are reserved.

INSTRUCTIONS AND INFORMATION REGARDING THE DISPOSAL OF USED PACKAGING MATERIALS

Dispose of used packaging material at a site designated for waste in your municipality.

DISPOSAL OF USED ELECTRICAL AND ELECTRONIC EQUIPMENT



This symbol on products or original documents means that used electric or electronic products must not be added to ordinary municipal waste. For proper disposal, renewal and recycling hand over these appliances to determined collection points. Alternatively, in some European Union states or other European countries you may return your appliances to the local retailer when buying an equivalent new appliance. Correct disposal of this product helps save valuable natural resources and prevents

potential negative effects on the environment and human health, which could result from improper waste disposal. Ask your local authorities or collection facility for more details. In accordance with national regulations penalties may be imposed for the incorrect disposal of this type of waste.

For business entities in European Union states

If you want to dispose of electric or electronic appliances, ask your retailer or supplier for the necessary information.

Disposal in other countries outside the European Union

This symbol is valid in the European Union. If you wish to dispose of this product, request the necessary information about the correct disposal method from the local council or from your retailer.



This appliance meets all the basic requirements of EU directives related to it.